

KOMATSU

PC
14R



Mini-Excavator

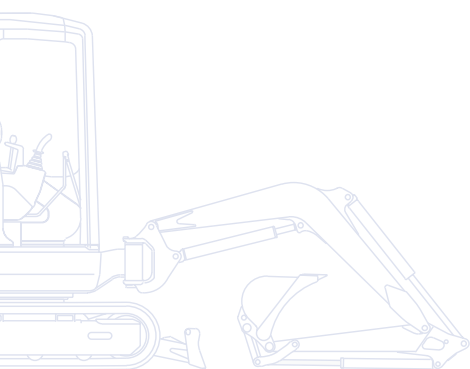
PC14R-3

EU Stage V Engine

ENGINE POWER
11,6 kW / 15,6 HP @ 2.600 rpm

OPERATING WEIGHT
1.440 - 1.800 kg

BUCKET CAPACITY
0,03 - 0,06 m³

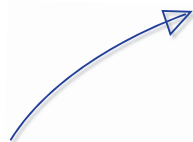
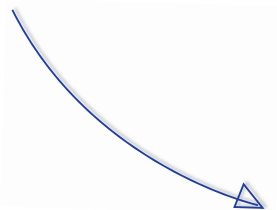


Walk-Around

The new PC14R-3 compact mini-excavator is the product of the competence and technology that Komatsu has acquired over 80 years. It was developed with constant attention to the needs of customers from all over the world. The end result is a user-friendly machine that offers top-class performance.

Complete versatility

- Standard 1- or 2-way auxiliary line for attachments
- Numerous configurations available
- Ideal for a wide range of applications



Outstanding performance

- Low consumption EU Stage V engine
- Optimal power and digging speed in confined spaces
- Perfect control even during combined operations
- Fast and precise movements



PC14R-3

ENGINE POWER
11,6 kW / 15,6 HP @ 2.600 rpm

OPERATING WEIGHT
1.440 - 1.800 kg

BUCKET CAPACITY
0,03 - 0,06 m³

Highest operator comfort

- Spacious working environment ensures outstanding comfort
- Excellent accessibility to and from the machine
- Pressure Proportional Control (PPC) servo-controls



Easy serviceability

- Easy access to all daily inspection points
- Tilting canopy / cab provides access for larger maintenance jobs
- Extended 500-hour service interval



Extremely robust

- Excellent stability and safety for maximum operator confidence in any conditions
- High quality standards guarantee longer life-time for all components
- ROPS and OPG compliant canopy / cab

KOMTRAX

Komatsu Satellite
Monitoring System
(option)

Outstanding Performance



Outstanding performance

The easy-to-use PC14R-3 allows all operators to get the best from their machine – whether they are experts or novices. The controls are user-friendly and dedicated to each movement. Smooth operations, enhanced by the CLSS hydraulic system, in combination with perfect visibility of the working area guarantee maximum productivity in even the toughest situations.

Highest Operator Comfort



Highest operator comfort

Designed with the utmost attention to detail, the operator's environment ensures outstanding comfort, accessibility and visibility. The canopy or cab allows easy access to and from the machine. Once seated, the spacious, obstacle-free floor allows even the tallest operators room to move their legs. For even greater comfort, an adjustable seat and PPC controls are fitted as standard.



The two-speed tracking (optional) is operated via a switch on the dashboard. The dashboard also allows the operator to monitor all machine functions.

Extremely Robust

Extremely robust

A number of particular technical solutions contribute to the PC14R-3's increased sturdiness and operability. These include a cast swing support that makes the structure extremely rigid, and a boom that houses the hydraulic hoses, protecting them from possible damage and guaranteeing the best visibility of the digging area. Furthermore, the choice of metal for the bonnets and covers guarantees a longer life and lower repair costs in case of collision.





Customisation

With many configurations available, you can choose exactly the right machine for a specific job: long or short arm, canopy or cab, rubber or steel shoes, 1 or 2 speed, standard or variable undercarriage. Moreover, the 1- / 2-way auxiliary hydraulic circuit allows the use of a wide range of working tools like a hammer, clamshell bucket, auger etc.

Variable undercarriage

For applications requiring maximum versatility in terms of size and stability, the PC14R-3 is also available with hydraulic undercarriage extension, which is operated from the operator's seat via a push button and the blade control lever. This feature allows the operator to quickly switch from maximum stability for working to a reduced width of less than one metre for driving through narrow passages or doors.



Easy Serviceability

Easy serviceability

All periodic inspection points are easily accessible through the machine's bonnets. In addition, larger maintenance tasks can be performed by simply tilting the canopy / cab upwards.

ORFS hydraulic face seal connectors and DT electrical connectors enhance the machine's reliability and makes repairs faster and easier. Special technical solutions have allowed the interval for most ordinary maintenance operations, such as pin greasing and engine oil changes, to be extended to up to 500 hours.



Right bonnet: simple inspection and cleaning of the radiators



Rear bonnet: quick engine check and fuel tank refilling



Left bonnet: easy access to the battery

Komatsu Satellite Monitoring System



Komtrax is a revolutionary machine tracking system designed to save you time and money. You can now monitor your equipment anytime and anywhere. Use valuable machine data received via the Komtrax web site to optimise your maintenance planning and machine performances.

With Komtrax, you can:

- Check when & where your machines are at work
- Be informed of unauthorized machine use or movement
- Set and receive e-mail notification for security alarms

For further details on Komtrax, please ask your Komatsu dealer for the latest Komtrax brochure.



Machine working time - With the "daily working record" chart, get precise engine running time data: when your machine was started and when it was shut down, as well as total engine running time.



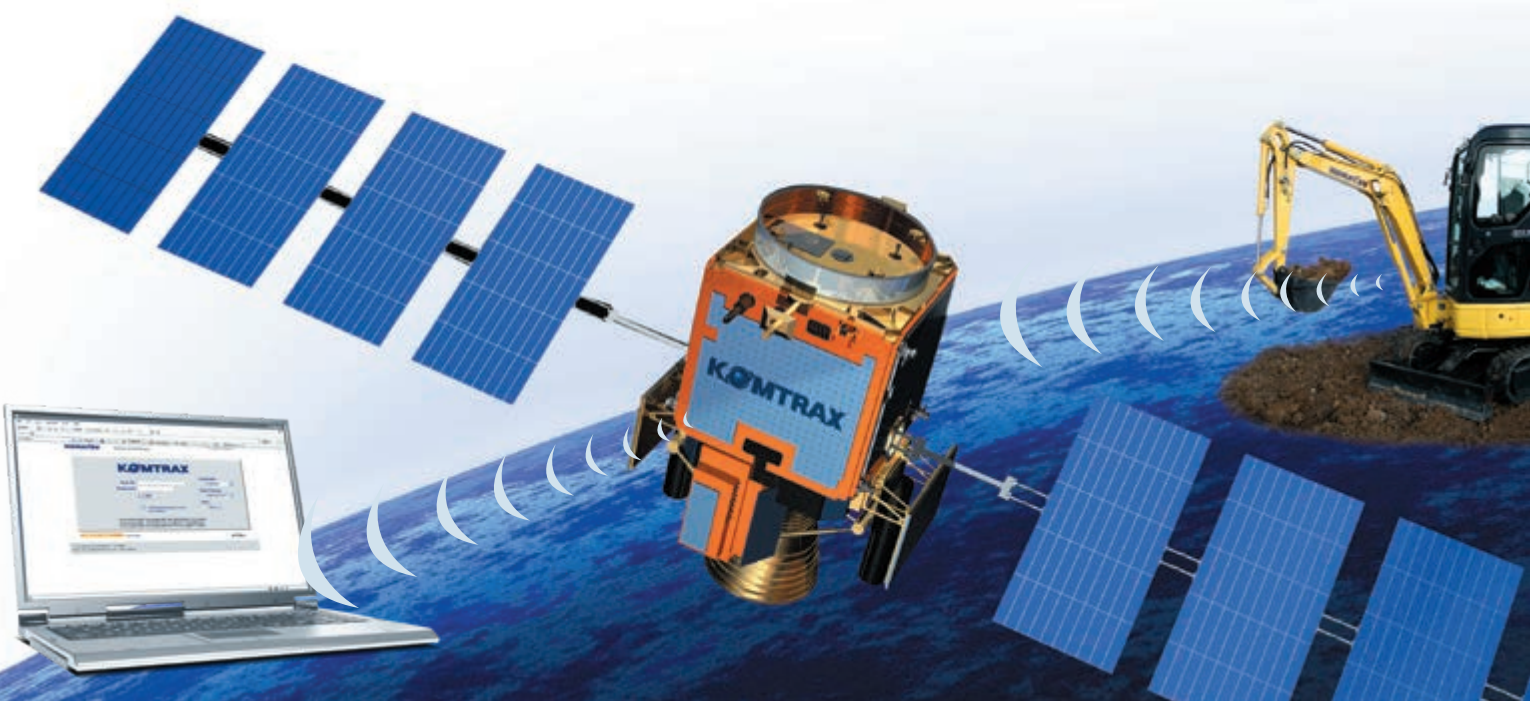
Fleet location - The machine list instantly locates all your machines, even those in other countries.



Alarm notifications - You can receive notification of alarms both via the Komtrax website and by e-mail.



Added security - The "engine lock" feature allows to program when a machine's engine can be started. And with "geo-fence", Komtrax sends notification every time your machine moves in or out of a predetermined operating area.



Specifications

ENGINE

The new generation engine has been developed to comply with the strictest emission controls.

Model	Komatsu 3D67E
Type	emissionised 4-cycle diesel engine
Displacement.....	778 cm ³
No. of cylinders	3
Engine power	
at rated engine speed.....	2.600 rpm
ISO 14396.....	11,6 kW/15,6 HP
ISO 9249 (net engine power)	11,2 kW/15,0 HP
Max. torque/engine speed	45,6 Nm/2.000 rpm
Cooling system.....	water
Air filter type	dry
Starter motor	electric motor with pre-heating air system for cold climate

OPERATING WEIGHT

Operating weight with standard bucket, fully serviced, +75 kg operator (ISO 6016).	
Operating weight with rubber shoes	1.440 kg
Operating weight with steel shoes	1.510 kg
Heated cab weight	+120 kg (optional)
Variable undercarriage.....	+170 kg

HYDRAULIC SYSTEM

Type	Komatsu CLSS
Main pump	1 × gear pump
Max. pump flow.....	40,8 ltr/min
Max. operating pressure.....	19 MPa (190 bar)
Bucket digging force (ISO 6015)	1.190 daN (1.210 kg)
Arm crowd force (ISO 6015):	
880 mm arm.....	740 daN (750 kg)
1.130 mm arm.....	575 daN (585 kg)

The digging equipment is fully controlled by PPC servo-controls. All movements are stopped by lifting the safety lever on the tilting case.

TRANSMISSION

Type	single speed hydrostatic transmission, controlled and steered by means of two levers or two pedals
Hydraulic motors	2 × axial pistons
Reduction system.....	planetary gear
Max. drawbar pull.....	1.230 daN (1.250 kgf)
Travel speed	2 km/h

SWING SYSTEM

The rotation is operated by means of an orbital hydraulic motor. Single ball-bearing ring with internal, induction hardened toothring. Centralised lubrication of the unit.

Swing speed.....	8,9 rpm
------------------	---------

BLADE

Type	electro-welded, single unit structure with extensions
Width × height	1.020 × 250 mm
Max. lifting above ground level	175 mm
Max. depth below ground level	155 mm

UNDERCARRIAGE

Track rollers (each side).....	3
Shoe width	230 mm
Ground pressure (standard).....	0,27 kg/cm ²

ELECTRIC SYSTEM

Voltage.....	12 V
Battery	41 Ah
Alternator.....	40 A
Starter motor	1,2 kW

SERVICE CAPACITIES

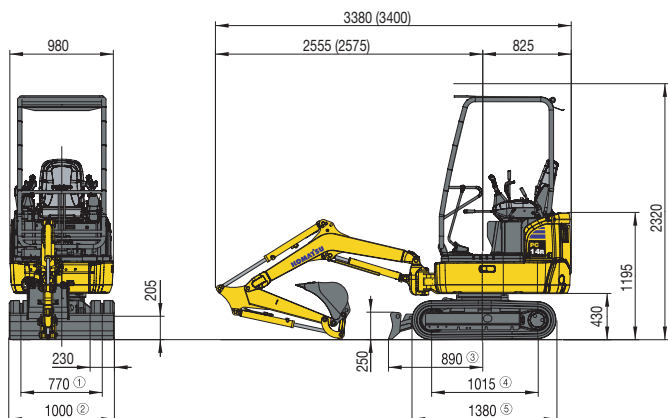
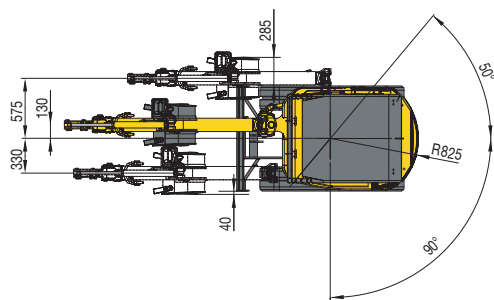
Fuel tank.....	19 ltr
Radiator and system	3,1 ltr
Engine oil (refill).....	3,3 ltr
Hydraulic system (refill)	1,2 ltr

ENVIRONMENT

Engine emissions	Fully complies with EU Stage V exhaust emission regulations
Vibration levels (EN 12096:1997)*	
Hand/arm.....	≤ 2,5 m/s ² (uncertainty K = 1,2 m/s ²)
Body	≤ 0,5 m/s ² (uncertainty K = 0,2 m/s ²)

* for the purpose of risk assessment under directive 2002/44/EC, please refer to ISO/TR 25398:2006.

Dimensions & Working Range



HS version:

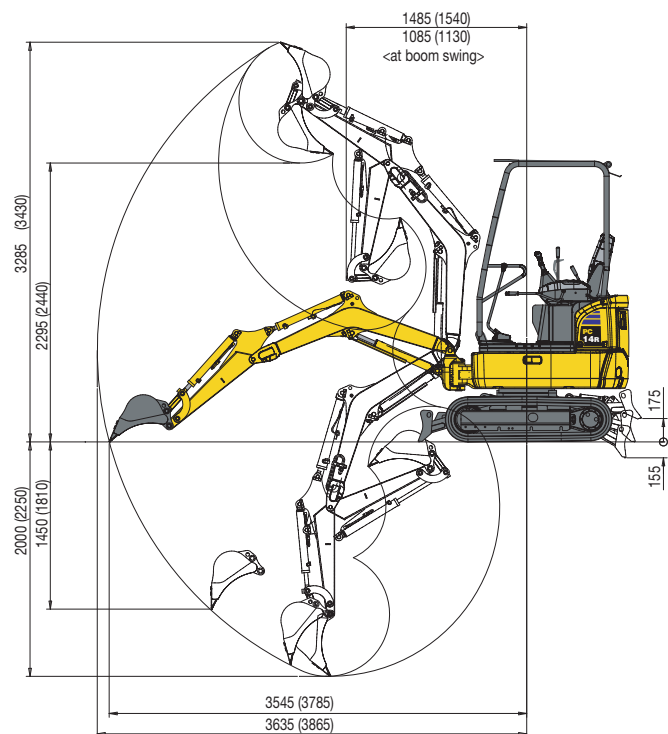
① 750 - 1.070 mm

② 980 - 1.300 mm

③ 1.145 mm

④ 1.212 mm

⑤ 1.555 mm



BUCKET RANGE

Width mm	Capacity m ³ (ISO7451)	Weight kg	No. of teeth
250	0,03	19	2
300	0,035	20	3
350	0,04	22	3
400	0,05	23	3
450	0,06	25	4

Canopy, rubber shoes, 350 mm bucket, blade down

A - Distance from machine's center B - Height at bucket pin

ARM LENGTH 880 mm

B	A	2 m		2,5 m		Max. outreach	
		Front	360°	Front	360°	Front	360°
2 m		(*)225	(*)225	(*)218	200	(*)220	179
1 m		(*)353	267	(*)266	192	(*)221	143
0 m		(*)424	249	(*)299	182	(*)231	147
-1 m		(*)293	253	-	-	(*)227	215

Unit: kg

ARM LENGTH 1.130 mm

B	A	2 m		2,5 m		3 m		Max. outreach	
		Front	360°	Front	360°	Front	360°	Front	360°
2 m		-	-	(*)178	(*)178	-	-	(*)184	151
1 m		(*)302	268	(*)235	190	(*)201	141	(*)189	123
0 m		(*)413	243	(*)290	177	(*)218	135	(*)200	125
-1 m		(*)341	242	(*)226	177	-	-	(*)208	170

Unit: kg

Canopy, rubber shoes, 350 mm bucket, blade down, HS version

A - Distance from machine's center B - Height at bucket pin

ARM LENGTH 880 mm

B	A	2 m		2,5 m		Max. outreach	
		Front	360°	Front	360°	Front	360°
2 m		(*)225	(*)225	(*)218	(*)218	(*)220	(*)220
1 m		(*)353	(*)353	(*)266	(*)266	(*)221	(*)221
0 m		(*)424	(*)424	(*)299	(*)299	(*)231	(*)231
-1 m		(*)293	(*)293	-	-	(*)227	(*)227

Unit: kg

ARM LENGTH 1.130 mm

B	A	2 m		2,5 m		3 m		Max. outreach	
		Front	360°	Front	360°	Front	360°	Front	360°
2 m		-	-	(*)178	(*)178	-	-	(*)184	(*)184
1 m		(*)302	(*)302	(*)235	(*)235	(*)201	(*)201	(*)189	(*)189
0 m		(*)413	(*)413	(*)290	(*)290	(*)218	(*)218	(*)200	(*)200
-1 m		(*)341	(*)341	(*)226	(*)226	-	-	(*)208	(*)208

Unit: kg

NOTE:

Ratings are based on ISO standard 10567. Rated loads do not exceed 87% of hydraulic lift capacity or 75% of tipping load.

- The values marked with an asterisk (*) are limited by the hydraulic capacities.

- Calculations are based on the machine resting on a uniform and firm surface.

- The lifting point is a hypothetical hook placed behind the bucket.

Mini-Excavator

PC14R-3

Standard Equipment

- EU Stage V engine
- ROPS (ISO 3471) - OPG (ISO 10262) level 1 canopy
- Rubber shoes
- 880 mm digging arm
- 1 / 2 way auxiliary hydraulic circuit for attachments up to the boom
- Adjustable seat
- Lifting cylinder guard
- Working light on boom
- Safety valve on bucket element
- Travel acoustic alarm

Optional Equipment

- Komtrax - Komatsu satellite monitoring system
- ROPS (ISO 3471) - OPG (ISO 10262) level 1 tilting cab with heating
- Steel shoes
- 1.130 mm digging arm
- Two speeds
- Variable undercarriage (HS version)
- Bucket range (250 - 450 mm)
- 1.000 mm ditch cleaning bucket
- Extension of the auxiliary hydraulic circuit up to the arm, with quick couplings
- Rotating beacon
- Biodegradable oil
- Rear-view mirrors
- Travel pedals

Your Komatsu partner:

KOMATSU

**Komatsu Europe
International NV**
Mechelsesteenweg 586
B-1800 VILVOORDE (BELGIUM)
Tel. +32-2-255 24 11
Fax +32-2-252 19 81
www.komatsu.eu

WESS004905 10/2019

Materials and specifications are subject to change without notice.
KOMATSU is a trademark of Komatsu Ltd. Japan.