

KOMATSU

PC33E-6

PRELIMINARY



Mini-excavator

Electric

Motor power
17.4 kW

Operating weight
3620 kg

Bucket capacity
0,03 - 0,10 m³

PC33E-6



Motor power
17.4 kW

Operating weight
3620 kg

Bucket capacity
0,03 - 0,10 m³

Industry leading characteristics providing unrivalled customer value

Powerful electric system

- Electric Komatsu powertrain
- 17.4 kW Komatsu electric motor
- 35 kWh Komatsu battery pack
- Long life battery design
- Fast battery charge (20 to 100%) in 1.6 h
- High voltage (115 V) architecture
- Increased lifting capacity: +40% over side (vs. PC30MR-5)
- Short tail design: 1020 mm tail swing radius

Environmentally friendly

- Zero local emissions
- Optimal for indoor use or to work outside of standard working hours
- Participate in low-carbon projects
- Support customers' environmental obligations
- Significantly lower noise and vibration levels (vs. PC30MR-5)
- CO₂ reduction equivalent of its own weight (vs. PC30MR-5 over 1 year)

Total versatility

- Off-board 400 V fast charger
- Proportional control for attachments
- Adjustable attachment oil flow (option)
- Possibility to use market compatible hydraulic attachments



Komatsu off-board fast charger
(Input: 400 V / 63 A) is standard

First-class comfort

- Air-suspended operator seat
- Multi-function monitor with redesigned interface for electric excavators
- Charging status information at a glance
- Machine controls are same as Internal Combustion Engine machines (ICE) and offer familiar working behaviour

Safety first

- Heavy-duty, protected electric components
- High-safety LFP lithium battery design
- ROPS (ISO 3471) / OPG (ISO 10262) level 1 canopy
- LED working lamps
- Dual lock system for PPC controls through neutral position detection
- Secondary engine shutdown switch
- Seat belt caution indicator

Easy maintenance

- Air cooled maintenance-free electric motor and inverter
- Reduced daily check and periodical maintenance items
- Komatsu E-support programme
- New electric powertrain components with a 5 years warranty
- Tilt-up floor for easier service access

Komtrax

- Komatsu Wireless Monitoring System
- 4G mobile communications
- Includes battery status, charging, power consumption information

Specifications

Electric system

System voltage	115 V
Battery	
Type	Komatsu Lithium-ion battery pack LFP (Lithium Iron Phosphate) technology
Capacity	35 kWh
Charger (external) input	400 V (CEE 63 A)

Electric motor

Motor power	17.4 kW
Motor type	Permanent magnet

Hydraulic system

Type	Komatsu CLSS
Main pump	2 × variable displacement pump
Maximum pump flow	35.7 × 2 + 18.7 + 9.9 l/min
Bucket digging force (ISO 6015)	29.4 kN
Arm crowd force (ISO 6015)	17.6 kN

Undercarriage

Track rollers (each side)	4
Carrier rollers (each side)	1
Shoe width	300 mm

Swing system

Swing speed	9.0 rpm
-------------	---------

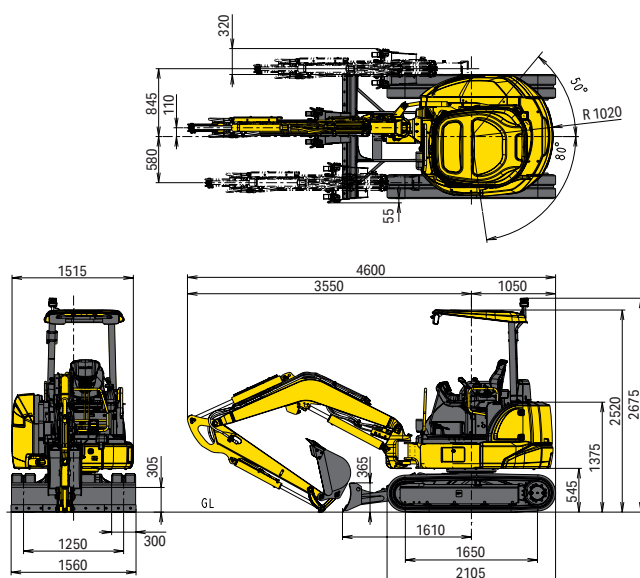
Drives and brakes

Steering control	2 levers with pedals giving full independent control of each track
Drive method	Hydrostatic
Max. travel speed	2.6 / 4.6 km/h

Environment

Engine emissions	Zero
Noise levels	
LwA external	92 dB(A) (2000/14/EC Stage II)
LpA operator ear	75 dB(A) (ISO 6396 dynamic test)

Dimensions



Working range

